

Cable Connectors



Barr C Explosion Proof Raintight Connector

424CU Series - For Type MC Interlocking Armour Cables in Hazardous Locations

Features & Benefits

- > Fast, easy installation
- > Large sealing range
- > Space and weight savings
- > Tested to UL and CSA standards
- > For Class I & II Division 2 and Class III Divisions 1 & 2 applications
- > Increased hub thread length to comply with new UL2225 requirements.

Technical Data

- > Suitable for Type MC Interlocking Armored cables - category CYMX
- > 6082-T6 Aluminium outer components with bright autocatalytic nickel coated CuZn39Pb3 brass inner parts
- > Connector listed as follows:
 - 1/2" to 3 1/2" CSA Class I Groups ABCD, Class II Groups EFG, Class III 1/2" and 3/4" UL Class I Div 2 Groups ABCD, Class II Div 2 Groups FG, Class III
 - 1" to 3 1/2" UL Class I Div 2 Groups CD, Class II Div 2 Groups FG, Class III
- > Compound forms barrier around individual cores, so preventing migration of gases through the centre of the cable
- > For use in most climatic conditions, suitable for IP66 and wet locations
- > Full installation instructions supplied



Type MC cable sealing fitting
for use in hazardous locations

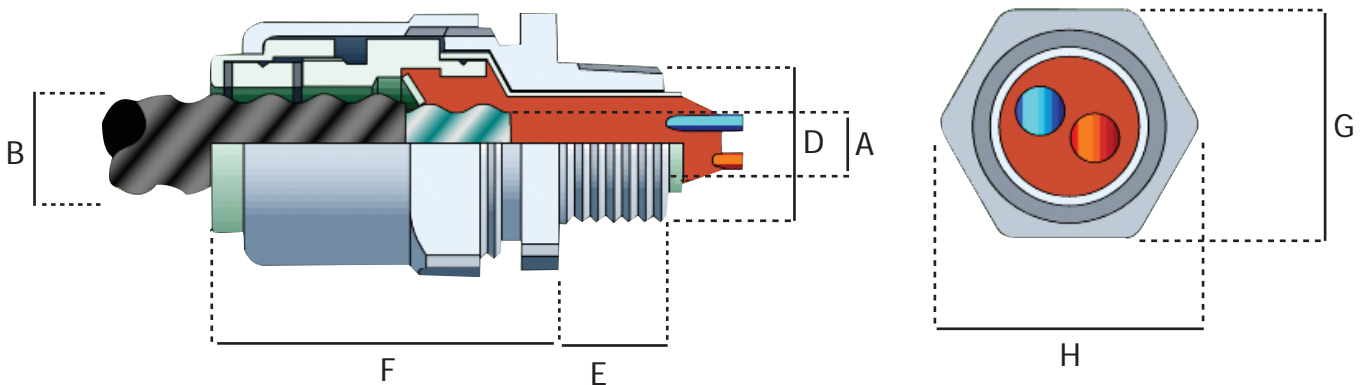
Cable Connectors

Barr C Explosion Proof Raintight Connector

424CU Series - For Type MC Interlocking Armour Cables in Hazardous Locations

CONNECTOR SELECTION CHART

Connector Reference		Cable Dimensions				Connector Dimensions			
Design Reference	Hub Size NPT (D)	Over Armor (A)		Overall (B)		Protrusion Length (F)	Hub Length (E)	Hexagon	
		Min.	Max.	Min.	Max.			A/F (G)	A/C (H)
424CU-02	1/2"	0.30"	0.57"	0.35"	0.62"	1.97"	0.84"	1.42"	1.57"
424CU-03	3/4"	0.47"	0.68"	0.51"	0.76"	2.05"	0.85"	1.67"	1.89"
424CU-04	1"	0.63"	0.94"	0.67"	1.06"	2.05"	1.06"	1.86"	2.11"
424CU-05	1 1/4"	0.83"	1.14"	0.95"	1.26"	2.28"	1.09"	2.22"	2.42"
424CU-06	2"	1.02"	1.54"	1.14"	1.65"	2.60"	1.14"	2.76"	3.04"
424CU-07	2 1/2"	1.48"	2.00"	1.61"	2.08"	2.56"	1.69"	3.15"	3.44"
424CU-08	3"	1.81"	2.26"	1.96"	2.42"	2.95"	1.75"	3.89"	4.30"
424CU-09	3 1/2"	2.16"	2.81"	2.32"	2.94"	2.99"	1.80"	4.18"	4.50"
424CU-15	1 1/2"	0.83"	1.14"	0.95"	1.26"	2.28"	1.10"	2.22"	2.42"



Make the right connection...