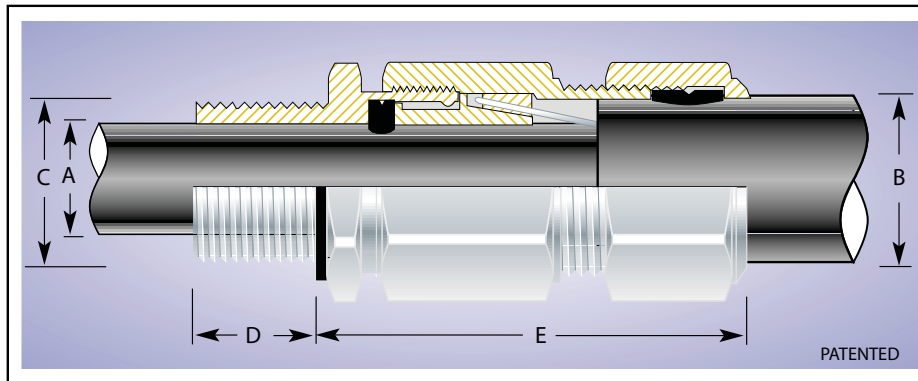


CCG E1EX MAC EExde



Product Code	Gland Size Reference	Entry Thread		Cable Details (Diameter)			Armour Dia Min-Max	Overall Length 'E'	Hexagonal Details	
		Metric	NPT 'C'	'D'	Min	Max			'A'	Min
052316	00-16ss	M16		15	3.0-8.0	8.0-13.5	0.2-1.25	53	24	27
052300	*00-20ss	M20- 1/2		15	3.0-8.0	8.0-13.5	0.2-1.25	53	24	27
0523-0	*0-20s	M20- 1/2		15	8.0-12	11.5-16.0	0.2-1.25	53	24	27
052301	*1-20	M20- 1/2/ 3/4		15	11.0-15.5	14.5-21.0	0.2-1.25	56	27	31
052302	*2-25	M25- 3/4/1		15	15.0-20.5	20.5-27.0	0.2-1.6	60	35	40
052303	*3-32	M32-1/1 1/4		15	20.0-26.5	26.5-33.5	0.2-2.0	66	42	48
052304	4-40	M40-1 1/4/1 1/2		20	26.0-34.5	33.0-43.0	0.3-2.0	78	52	60
052305	5-50	M50-1 1/2/2		20	34.0-44.5	42.5-52.5	0.4-2.5	87	65	75
052306	6-63	M63-2/2 1/2		20	44.0-57.0	52.5-65.5	0.4-2.5	110	82	94
052307	7-75	M75-2 1/2/3		20	56.0-68.0	65.5-78.0	0.4-3.0	118	96	110

All dimensions are in mm. Glands larger than size 7-75 available on request.
 *For use with Posi-Fit boxes. † Dimensions may differ from published table.

Features and Benefits

- For use outdoors and in hazardous areas. (E1W type)
- Two piece handling, no loose parts.
- Multi Armour captive cone, providing an armour clamp and earth bond for Steel wire, Braid and Tape armoured cable.
- No need to reverse cones or cone rings or change seals to accommodate different armour cable.
- Patented disconnect system that allows inspection of armour clamp and inner seal after assembly
- Factory fitted captive elastomeric seals for built in safety.
- Seals on both inner and outer sheaths to IP66/68.
- Precision manufactured from high quality brass and nickel plated.
- Complete with a polypropylene gasket.

Technical Data

Type	E1EX
Gland Material	Brass (Nickel Plated)
Seal Material	Thermoplastic Elastomer (silicone on request)
Cable Type	Steel wire, Braid, Tape Armour
Armour Clamping	Multi Armour Cone and Cone Ring
Sealing Area	Inner and outer sheath
Optional Accessories	Locknut, Shroud, Earth Tag, Adaptor / Reducer

Standards and Certifications

Hazardous Area Classification

SANS/SABS IEC, AS/NZS IEC, CNEC	Zone 1, 2, 21 and 22 Exde IIC and DIP
CENELEC / ATEX	Category 2, Category 3, EExde IIC 2 GD

Compliance Code Certification No.

CENELEC / ATEX	Certification No.
EN50014:1997E	DEMKO 01 ATEX 130325X
EN50018:2000E	DEMKO 01 ATEX 130325X
EN50019:2000E	DEMKO 01 ATEX 130325X
EN50281-1-1:1999E	DEMKO 01 ATEX 130325X

SANS / SABS / IEC

SANS/SABS 1213, SABS 1031	SABS S/W 451UX
SANS/SABS IEC 60079-0 2000	SABS S/W 451UX
SANS/SABS IEC 60079-1 2001	SABS S/W 451UX
SANS/SABS IEC 60079-7 2001	SABS S/W 451UX
SANS/SABS IEC 60529 1989	SABS S/W 451UX
SANS/SABS IEC 61241.1.1 1999	SABS S/W 451UX

AUSTRALIAN / NEW ZEALAND / IEC

AS/NZS IEC 60079-0 2000	AUS Ex 03.3844X
AS/NZS IEC 60079-1 2001	AUS Ex 03.3844X
AS/NZS IEC 60079-7 2001	AUS Ex 03.3844X
AS/NZS IEC 60529 1989	AUS Ex 03.3844X
AS/NZS IEC 61241.1.1 1999	AUS Ex 03.3844X

CHINESE

GB3638.1-2000 part 1	CNEC 04.158U
GB3638.2-2000 part 2	CNEC 04.158U
GB3638.3-2000 part 3	CNEC 04.158U
GB12476.1-2000	CNEC 04.158U

Ingress Protection	IP 66/67/68
Operating Temperature	-30 °C to +130 °C

Special Conditions for Safe Use - X

Glands must be used as part of a certified assembly in surface installations only
 Not for use on Exd enclosures that are larger than 2000cm³ volume in group IIC gases in zone 1 areas

