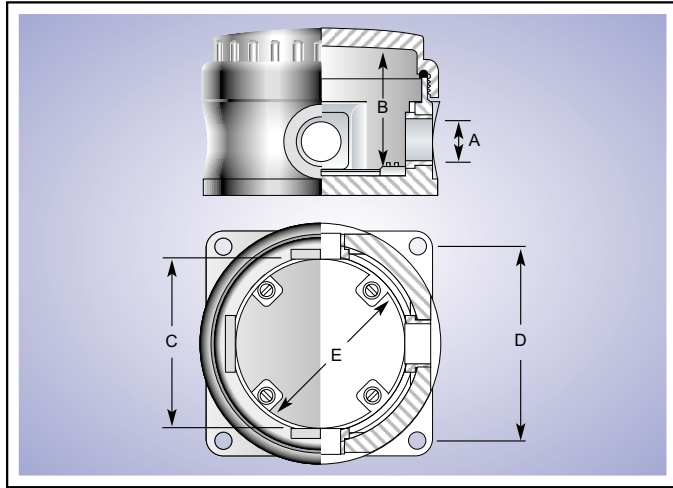


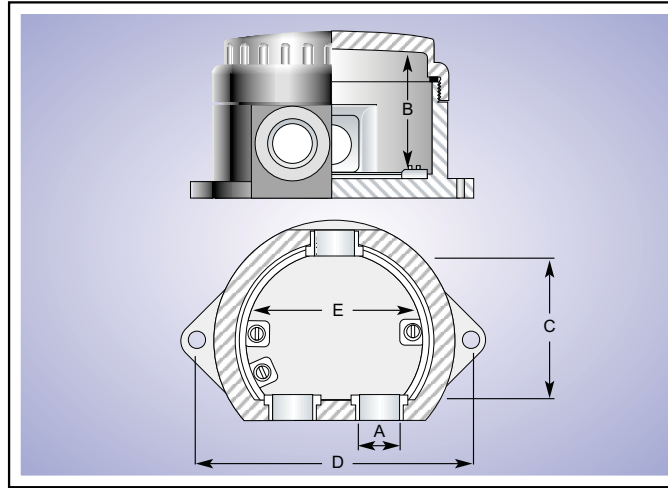
## CCG 4 Way Box IP68



Product Code Posi Fit box Exe	Product Code Handi-fit Box	Gland Size Reference	Entry Thread 'A'	Clear Inside Height 'B'	Clear Inside Distance 'C'	Distance of Fixing Holes 'D'	Distance 'E'
1003-0	0650-0	0	M20x1.5	52	71	77	65
100301	065001	1	M20x1.5	58	89	90	80
100302	065002	2	M25x1.5	67	107	107	98
100303	065003	3	M32x1.5	105	165	167	140

- For use in surface hazardous areas and general industrial electrical installations.
- Manufactured from impact, corrosion and UV resistant glass reinforced polyester compound.
- High temperature resistance and anti-static properties (black boxes only).
- Red Fire Rated box for emergency circuits (Rated 750 °C for 30 min.)
- Screw-on lid allows ease of installation locked with a special key prevents unauthorised tampering.
- No exposed metal parts.
- One box gives 1, 2, 3 and 4 way versatility (reduced stock holding).
- 4 blanking plugs provided.
- No drilling or tapping of entries required.

## CCG Y Box IP68



Product Code Posi Fit box Exe	Product Code Handi-fit Box	Gland Size Reference	Entry Thread 'A'	Clear Inside Height 'B'	Clear Inside Distance 'C'	Distance of Fixing Holes 'D'	Distance 'E'
1009-0	0651-0	0	M20x1.5	52	61	107	65
100901	065101	1	M20x1.5	58	81	127	80
100302	065102	2	M25x1.5	67	91	150	98
100903	065103	3	M32x1.5	105	152	235	140

- Internal earth continuity ring and earth studs provided.
- DIN rail mounting studs are provided for use with CCG terminal blocks (see leaflet No. T 010203).
- Raised domed lid facilitates connections to be made outside of the box.
- If boxes are used in hazardous areas only approved Exe glands and Exe non-sparking terminals must be fitted.
- Dust and water tight to IP68 when fitted with CCG sealed glands.
- Can be buried for extended periods.
- Boxes with see through polycarbonate "adapt-a lids" available on request.
- 4 way H-boxes with parallel entries available on request.

## Standards and Certifications

### Hazardous Area Classification

IEC, SABS, AUS Ex, CNEx	Zone 1, 2, 21 and 22 Exe IIC and DIP
CENELEC / ATEX	Category 2, Category 3 EExe II 2 GD

### Compliance Code Certification No.

CENELEC / ATEX	Certification No.
EN50014: 1997, EN50019: 2000	DEMKO 01 ATEX 130324 (Apparatus), 130515U (Unfinished)
EN 50281-1-1 1999	DEMKO 01 ATEX 130324 (Apparatus), 130515U (Unfinished)

### SABS

SANS/ SABS 969	S777M132
SANS/ SABS 970	S777M132
SANS/ SABS 1031	S777M132
SANS/ SABS 1222	S777M132

### AUSTRALIAN

AS 2380.1 1989	AUS EX2395U
AS 2380.6 1991	AUS EX2395U
AS 2380.9 1994	AUS EX2395U
AS 2236 1994	AUS EX2395U
AS 1939	AUS EX2395U
AS 3013 1995	CSIRO 1066 WS2X

### CHINESE

GB3638.1-2000 part 1	CNEx 04.211U
GB3638.2-2000 part 2	CNEx 04.211U
GB12476.1-2000	CNEx 04.211U

### Impact Protection

14 Joules

### Ingress Protection

IP66/67/68

### Operating Temperature

-30 °C - +130 °C

### Fire Rating (Red Boxes)

750 °C for 30min

UNIT 4, CARRAWAY ROAD, GILLMOSS INDUSTRIAL ESTATE, LIVERPOOL, L11 0EE  
 TEL: +44 (0)151 547 2666, FAX: +44 (0)151 547 1444, EMAIL: SALES@ELPRESS-UK.COM  
 WEBSITE: WWW.ETECHCOMPONENTS.CO.UK

