

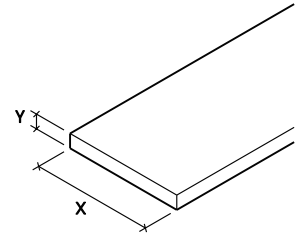
Bare copper tape

Conductor size (X x Y)	Weight per metre	Standard coil size	Part No.	Conductor size (X x Y)	Weight per metre	Standard coil size	Part No.
12.5 x 1.5mm	0.17kg	100m	TC005	31.5 x 4mm	1.13kg	40m	TC048
12.5 x 3mm	0.33kg	100m	TC010	31 x 6mm	1.65kg	30m	TC050
20 x 1.5mm	0.27kg	100m	TC015	38 x 3mm	1.01kg	50m	TC055
20 x 3mm	0.53kg	50m*	TC020	38 x 5mm	1.69kg	30m	TC060-FU
25 x 1.5mm	0.33kg	100m	TC025	38 x 6mm	2.02kg	25m	TC065
25 x 3mm	0.67kg	25m*	TC030	40 x 3mm	1.06kg	40m	TC067
1" x 1/8"	0.67kg	25m*	TC030-UL†	40 x 4mm	1.42kg	30m	TC066
25 x 4mm	0.89kg	50m	TC035	40 x 5mm	1.78kg	25m	TC071
25 x 6mm	1.33kg	40m	TC040	40 x 6mm	2.16kg	25m	TC068
1" x 1/4"	1.33kg	40m	TC040-UL†	40 x 6.3mm	2.24kg	25m	TC069
30 x 2mm	0.53kg	50m	TC039	50 x 3mm	1.33kg	40m	TC070
30 x 3mm	0.80kg	50m	TC042	50 x 4mm	1.78kg	30m	TC075
30 x 4mm	1.07kg	40m	TC044	50 x 5mm	2.22kg	20m	TC078
30 x 5mm	1.33kg	40m	TC043	50 x 6mm	2.68kg	20m	TC080†
31 x 3mm	0.83kg	50m	TC045	50 x 6.3mm	2.80kg	20m	TC082

* 20 x 3mm also available in 100m coil size (TC020/100)
25 x 3mm also available in 50m coil size (TC030/50).



High conductivity copper tape to BS EN 13601 (formerly BS 1432).
†UL96 (TC030-UL, TC040-UL, TC080)



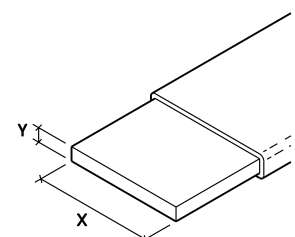
PVC covered copper tape

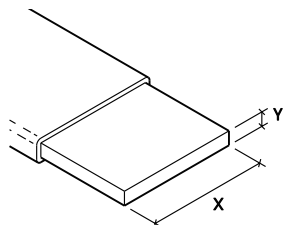
Conductor size (X x Y)	Weight per metre	Standard coil size	Colour range					
			Black 18B29	Green *	Grey 00A07	Stone 08B23	White 10B15	Brown 06C39
12.5 x 1.5mm	0.21kg	100m	TC100	-	-	-	-	-
25 x 3mm	0.77kg	25m	TC105-FU	TC110	TC115-FU	TC120-FU	TC125-FU	TC130
25 x 3mm	0.77kg	50m	TC105/50	TC110/50	TC115/50	TC120/50	TC125/50	TC130/50
25 x 6mm	1.53kg	40m	-	TC140-FU	-	-	-	-
50 x 6mm	2.95kg	20m	-	TC145	-	-	-	-

Other colours are available to order. Contact Furse for details. Furse takes every precaution to ensure the UV stability of its PVC coverings, but as with all plastics, colour variation will occur over time.



High conductivity copper tape to BS EN 13601 (formerly BS 1432).
PVC colours to BS 5252. * Green to BS 6746C.





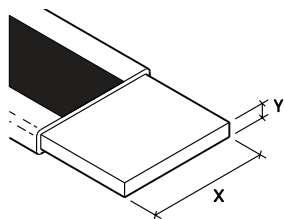
LSOH covered copper tape

Conductor size (X x Y)	Colour	Weight per metre	Standard coil size	Part No.
25 x 3mm	Green	0.77kg	25m*	TC910
25 x 6mm	Green	1.53kg	40m	TC940
50 x 6mm	Green	2.95kg	20m	TC980

* 25 x 3mm also available in 50m coil size (TC910/50).



High conductivity copper tape to BS EN 13601 (formerly BS 1432).
PVC colours to BS 6746C.



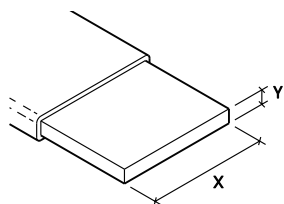
Green & yellow PVC insulated copper tape

Conductor size (X x Y)	Weight per metre	Standard coil size	Part No.
25 x 3mm	0.79kg	25m*	TC111-FU

* Also available in 50m coil size (TC111/50).



High conductivity copper tape to BS EN 13601 (formerly BS 1432).
PVC colours to BS 6746C.



Lead covered copper tape

Conductor size (X x Y)	Weight per metre	Standard coil size	Part No.
25 x 3mm	2.56kg	25m	TC330



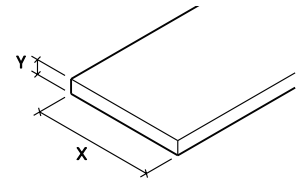
High conductivity copper tape to BS EN 13601 (formerly BS 1432).

Tinned copper tape

Conductor size (X x Y)	Weight per metre	Standard coil size	Part No.
12.5 x 1.5mm	0.17kg	100m	TC225-FU
25 x 3mm	0.67kg	50m	TC230
1" x 1/8"	0.67kg	50m	TC230-UL†
30 x 2mm	0.53kg	50m	TC239
25 x 6mm	1.33kg	40m	TC240
31 x 3mm	0.83kg	50m	TC245
38 x 5mm	1.69kg	30m	TC260
50 x 6mm	2.68kg	20m	TC280



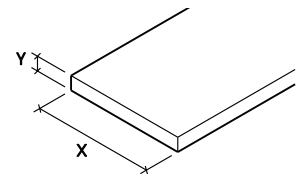
High conductivity copper tape to BS EN 13601 (formerly BS 1432).
†UL96 (TC230-UL)



Hard drawn copper bar

Bare hard drawn bar

Conductor size (X x Y)	Weight per metre	Part No.
25 x 3mm	0.67kg	BA205*
25 x 6mm	1.33kg	BA210
38 x 6mm	2.03kg	BA225
50 x 6mm	2.67kg	BA230*
50 x 10mm	4.45kg	BA235
75 x 6mm	4.00kg	BA240
100 x 6mm	5.38kg	BA250-FU



Tinned hard drawn bar

Conductor size (X x Y)	Weight per metre	Part No.
50 x 6mm	2.67kg	BA231*

Approximate lengths of 4 metres except * supplied in approximate lengths of 3 metres.



Hard drawn high conductivity copper bar to BS EN 12163.

Flexible copper braid

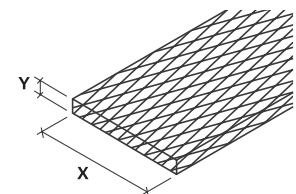
Bare braid

Overall nominal size (X x Y)	Size	Weight per metre	Part No.
12 x 1mm	6mm ²	0.055kg	BD020
15 x 1.5mm	10mm ²	0.096kg	BD025
19 x 2.5mm	16mm ²	0.16kg	BD026
32 x 6mm	70mm ²	0.63kg	BD027
25 x 3.5mm	35mm ²	0.34kg	BD030

Tinned braid

Overall nominal size (X x Y)	Size	Weight per metre	Part No.
25 x 3.5mm	35mm ²	0.34kg	BD035

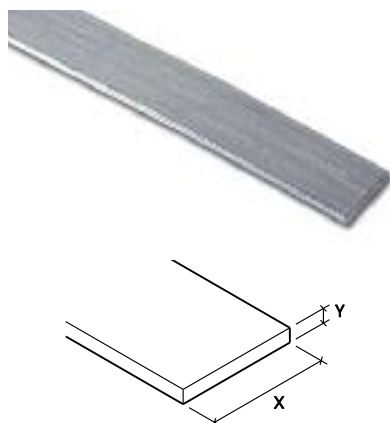
Suitable for earth bonding. Also supplied as standard pre-cut and drilled bonds.



Other sizes and types of braid can be made to order.
Please telephone for details.



High conductivity copper wire to BS 4109-C101.



Bare aluminium tape

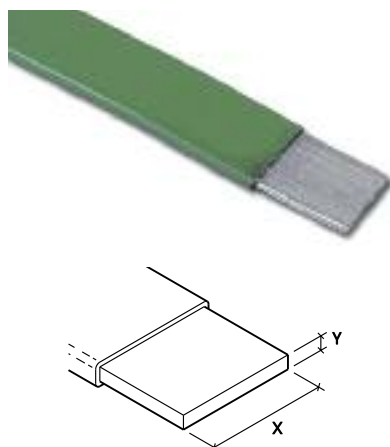
Conductor size (X x Y)	Weight per metre	Standard coil size	Part No.
12.5 x 1.5mm	0.05kg	50m	TA005
20 x 3mm	0.17kg	50m	TA020
25 x 3mm	0.21kg	50m	TA030
30 x 3mm	0.25kg	50m	TA042
25 x 6mm	0.42kg	50m	TA040
40 x 6mm	0.67kg	50m	TA068
50 x 6mm	0.85kg	50m	TA080



Aluminium tape to BS 2898-1350.

PVC covered aluminium tape

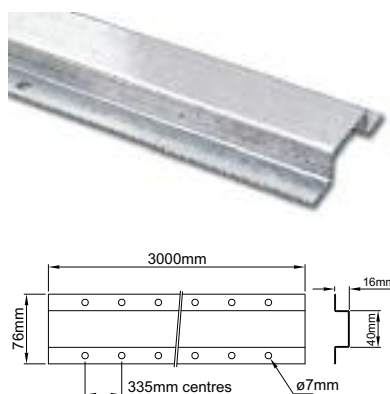
Conductor size (X x Y)	Weight per metre	Standard coil size	Colour range					
			Black 18B29	Green *	Grey 00A07	Stone 08B23	White 10B15	Brown 06C39
12.5 x 1.5mm	0.09kg	50m	TA100	-	-	-	-	-
20 x 3mm	0.25kg	50m	TA104	-	-	-	-	-
25 x 3mm	0.30kg	50m	TA105	TA110	TA115	TA120	TA125	TA130



Other colours are available to order. Contact Furse for details. Furse takes every precaution to ensure the UV stability of its PVC coverings, but as with all plastics, colour variation will occur over time.



Aluminium tape to BS 2898-1350.
PVC colours to BS 5252. * Green to BS 6746C.



Anti-vandal down conductor guard

Length	Weight each	Part No.
3000mm	2.90kg	AV005



Fix using round head wood screws (Part no. **SW405**) and wall plugs (Part no. **PS305**).

Suitable for use with 25 x 3mm tape.